

Exhaust System Installation For Dodge Ram 1500 PN-140308,140552,140553



Precision manufactured using high quality austenitic stainless steel; this system is designed to endure years of heavy use. Installing a Borla Performance Exhaust System on your vehicle will eliminate the restrictive design of the stock exhaust, allowing your engine to discharge exhaust gas easier. The result is more horsepower and torque, longer engine life, and a distinctive throaty growl- all this, with easy bolt-on installation. These installation instructions have been written to help you in the installation of your Borla Performance Exhaust System. Please read it completely before installing your system.

Thank you for purchasing a Borla Performance Cat-Back™ Exhaust System.

Borla Performance Cat-Back™ Exhaust System (PN-140308) is been designed for the Dodge Ram 1500 equipped with a 5.7L Hemi V-8 engine, automatic or manual transmission.

Borla Performance Cat-Back™ Exhaust System (PN-140552,140553) is been designed for the Dodge Ram 1500 equipped with a 5.7L V-8 engine, automatic or manual transmission.

Borla Performance Industries recommends that an exhaust shop or professional after market parts installer, who has all the necessary equipment, tools and experienced personnel needed for proper installation, should perform the installation of this system. However, if you decide to perform the installation, we recommend someone should help you. Ensure the installer uses all under car safety precautions including eye protection.

Please take time to read and understand the following...

By installing your Borla Performance Exhaust System, you indicate that you have read this document and you agree with the terms stated below.

It is the responsibility of the purchaser to follow all installation instruction guidelines and safety procedures supplied with your Borla Performance Exhaust System.

Borla Performance Industries assumes no responsibility for damages occurring from misuse, abuse, improper installation, improper operation, lack of responsible care, or all previously stated reasons resulting from incompatibility with other manufacturer's products and/or systems.

Included with your Borla Performance Exhaust System is a warranty card. Please read it carefully before you begin any work on your vehicle. If you should have any questions regarding our warranty policy, installation, or any other matter pertaining to your new Borla Performance Exhaust System, please give us a call at the number provided on the warranty card.

Minimum Required Tool List:

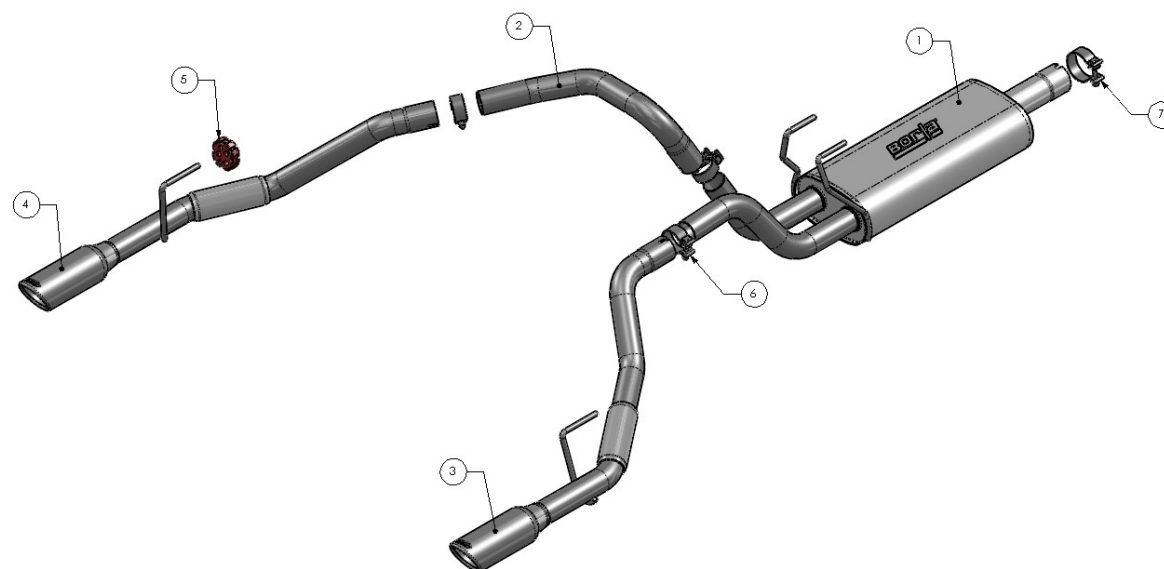
TOOLS:

1. 3/8" Drive Ratchet
2. 3/8" Drive Extension 3"
3. 10mm Socket
4. 15mm Socket
5. Pry Bar

SHOP SUPPLIES:

- 1 Spray Lubricant

Borla Performance Cat-back™ Bill of Materials



140308

ITEM NO.	QTY.	PART NO.	DESCRIPTION
1	1	53935	MUFFLER ASSEMBLY
2	1	66607	OVER-AXLE PIPE: Ø2.50 X 27.00" (FROM B0027)
3	1	53942	R/H TAIL PIPE ASSEMBLY
4	1	53943	L/H TAIL PIPE ASSEMBLY
5	1	45479	RUBBER BRACKET
6	3	90113	S/S ACCUSEAL CLAMP Ø2.50
7	1	90114	S/S ACCUSEAL CLAMP Ø3.00

Minimum Required Tool List:

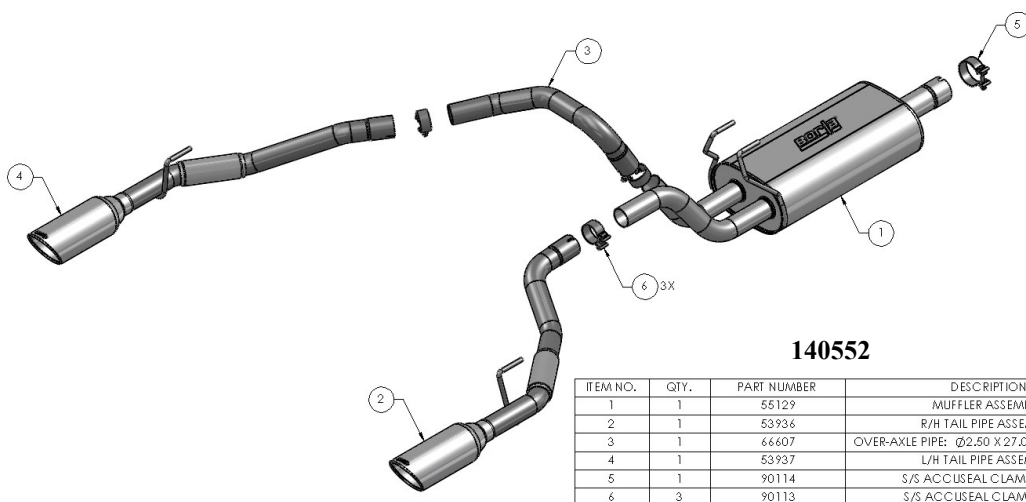
TOOLS:

1. 3/8" Drive Ratchet
2. 3/8" Drive Extension 3"
3. 10mm Socket
4. 15mm Socket
5. Pry Bar

SHOP SUPPLIES:

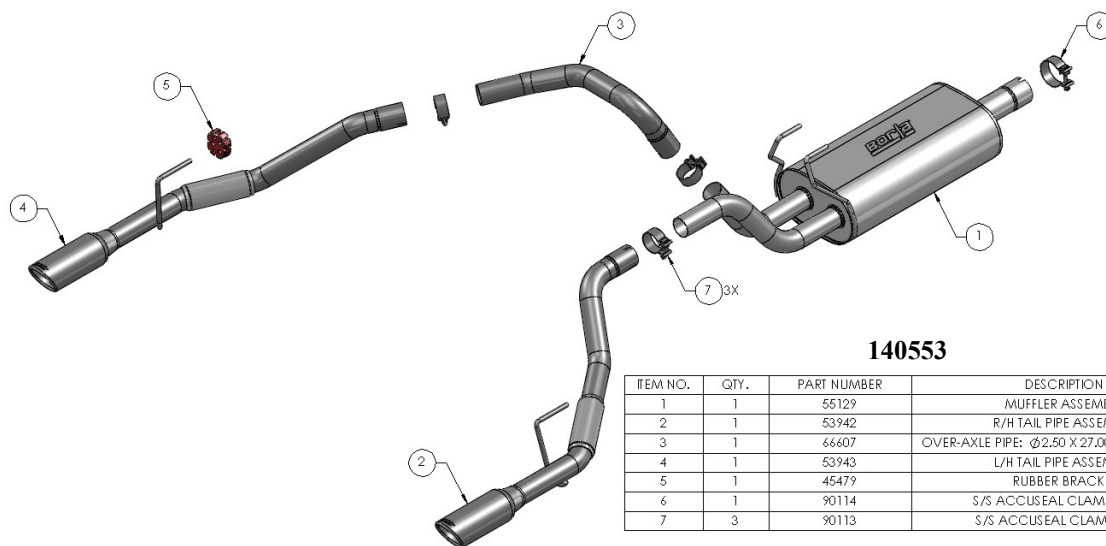
- 1 Spray Lubricant

Borla Performance Cat-back™ Bill of Materials



140552

ITEM NO.	QTY.	PART NUMBER	DESCRIPTION
1	1	55129	MUFFLER ASSEMBLY
2	1	53936	R/H TAIL PIPE ASSEMBLY
3	1	66607	OVER-AXLE PIPE: Ø2.50 X 27.00" (FROM 80027)
4	1	53937	L/H TAIL PIPE ASSEMBLY
5	1	90114	S/S ACCUSEAL CLAMP Ø3.00
6	3	90113	S/S ACCUSEAL CLAMP Ø2.50



140553

ITEM NO.	QTY.	PART NUMBER	DESCRIPTION
1	1	55129	MUFFLER ASSEMBLY
2	1	53942	R/H TAIL PIPE ASSEMBLY
3	1	66607	OVER-AXLE PIPE: Ø2.50 X 27.00" (FROM 80027)
4	1	53943	L/H TAIL PIPE ASSEMBLY
5	1	45479	RUBBER BRACKET
6	1	90114	S/S ACCUSEAL CLAMP Ø3.00
7	3	90113	S/S ACCUSEAL CLAMP Ø2.50

Caution!!! Never work on a hot exhaust system. Serious injury in the form of burns can result If the vehicle has been in use and the exhaust system is hot, allow vehicle to cool for at least 1 hour. Always wear eye protection when working under any vehicle.

Note: It is our recommendation that you use a hoist or hydraulic lift to facilitate the installation of your new Borla Performance Rear Section Exhaust System.

Taking all under car safety precautions, lift the vehicle using a hoist or hydraulic lift. Once this has been done, you may begin the removal of your old exhaust system from your vehicle.

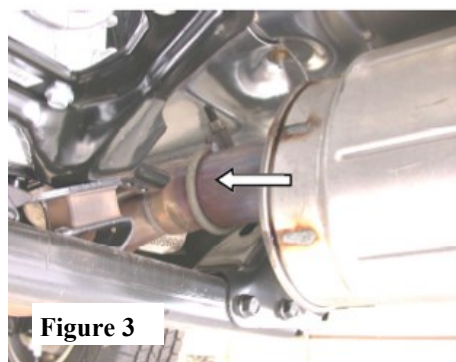
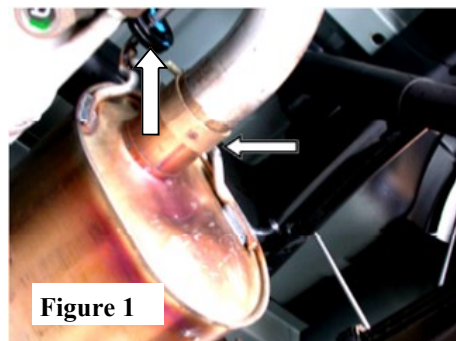
Note: Before removing the original exhaust system from your vehicle, please compare the parts you have received with the bill of materials provided on the previous page to assure that you have all the parts necessary for the installation of your new Borla Performance Rear Section Exhaust System.

Original Exhaust System Removal

Note: With a used vehicle, we suggest a penetrating spray lubricant to be applied liberally to all exhaust fasteners and allowing a significant period of time for the chemical to lubricate the threads before attempting to disassemble.

1. Unbolt the clamp located behind the rear muffler assembly. (See Fig.1)
2. Lubricate all the hangers and rubber isolators.
3. Using a muffler stand or an additional person to hold the tail pipe up in place, remove the hanger from the rubber isolator and then remove the tail pipe from the vehicle as shown. (See fig.2)
4. Unbolt the clamp located just behind the catalytic converter. Using a muffler stand or an additional person to hold the exhaust up in place, remove the hanger from the rubber isolator and remove the rear muffler from the vehicle.
5. Unbolt the clamp The clamp may have grooved the pipe and it may require cutting for removal. Using a muffler stand or an additional person to hold the remaining exhaust up into position, remove the hangers from the rubber isolators and remove the remaining exhaust from the vehicle. (See fig.3)

Warning: Use extreme caution during installation. Torque all fasteners according to manufacturer's torque values and tightening sequence. DO NOT use air impact tools to tighten fasteners on Borla Performance Exhaust Systems. Use of such tools may result in bent flanges or gasket contact areas leading to exhaust leaks.



Borla Performance Cat-Back™ Exhaust System Installation

1. Place a clamp over the expanded end of the front muffler assembly and set it into position making sure to install the hanger into the rubber isolator. **Do Not tighten the clamp.** (See fig.4)
2. Place a clamp over the expanded end of the muffler assembly and set it into position **Do Not tighten the clamp.** (See fig.5)
3. Place a clamp over the right tail pipe assembly and set it into position making sure to install the hanger into the rubber isolator. **Do Not tighten the clamp.** (See fig.6)
4. Place a clamp over the expanded end of the left tail pipe assembly and set it into position making sure to install the hanger into the rubber isolator. **Do Not tighten the clamp.** (See fig.7)
5. Check your exhaust system for proper clearance under the vehicle and also for tip alignment..
7. Once position has been determined to be correct, tighten the Accuseal™ clamps to 32-35 ft. lbs.
6. Before starting your vehicle, make sure to check all wires, hoses, brake lines, body parts and tires for safe clearance from the exhaust system.
7. Start vehicle and check for any leaks. If any leaks are found, determine cause (such as loose or incorrectly positioned clamp) and repair as necessary.

Note: When you first start your vehicle after the installation of your new Borla Performance Exhaust System, there may be some smoke and fumes coming from the system. This is a protective oil based coating used in the manufacturing of mandrel bent performance exhaust tubing. This is not a problem and will disappear within a very short period of time after the exhaust has reached normal operating temperatures.



Figure 4

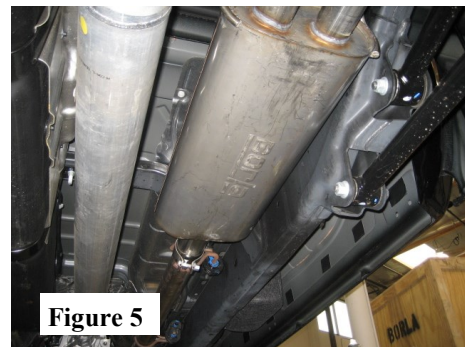


Figure 5



Figure 6

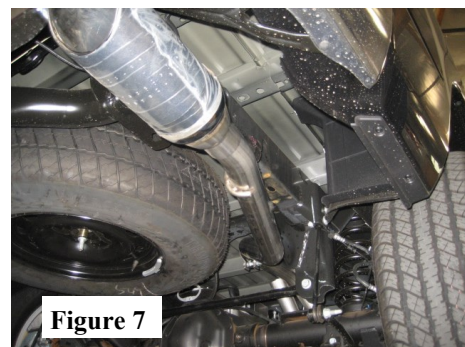


Figure 7