



INSTALLATION GUIDE: **AWE TRACK and TOURING Dodge Charger Exhaust**

For up-to-date fitment information, please visit the product page on [AWE-Tuning.com](https://www.awe-tuning.com).

THIS GUIDE IS INTENDED FOR THE FOLLOWING PART NUMBERS:

- 3015-32112 AWE Track Edition Exhaust for Charger 6.4 / 6.2 SC - Chrome Silver Tips
- 3015-33126 AWE Track Edition Exhaust for Charger 6.4 / 6.2 SC - Diamond Black Tips
- 3020-32056 AWE Touring Edition Exhaust for Charger 6.4 / 6.2 SC - Non-Resonated - Chrome Silver Tips
- 3020-33070 AWE Touring Edition Exhaust for Charger 6.4 / 6.2 SC - Non-Resonated - Diamond Black Tips

Welcome to the AWE family, and congratulations on your purchase of the AWE Exhaust system for the Dodge Charger.

Exquisite build quality and craftsmanship, coupled with industry leading performance, distinguish this exhaust system from all others.

*For up to the minute fitment information, be sure to visit the AWE website. As always, AWE Performance Specialists are standing by for any questions, [right here](#).

PARTS LIST



INSPECT ALL PARTS PRIOR TO DISASSEMBLY OF VEHICLE; IF DAMAGED OR MISSING, PLEASE CONTACT THE PLACE OF PURCHASE IMMEDIATELY.

Dodge Charger Track and Touring Exhaust Parts

1	H Pipe	C70 - (All)
1	DS resonated mid section	C73 - (Track or Touring)
1	PS resonated mid section	C74 - (Track or Touring)
1	DS non resonated section	C71 - (Touring)
1	PS non resonated section	C72 - (Touring)
1	DS touring rear	C75 - (Touring)
1	PS touring rear	C76 - (Touring)
1	DS track rear	C77 - (Track)
1	PS track rear	C78 - (Track)

Exhaust Hardware

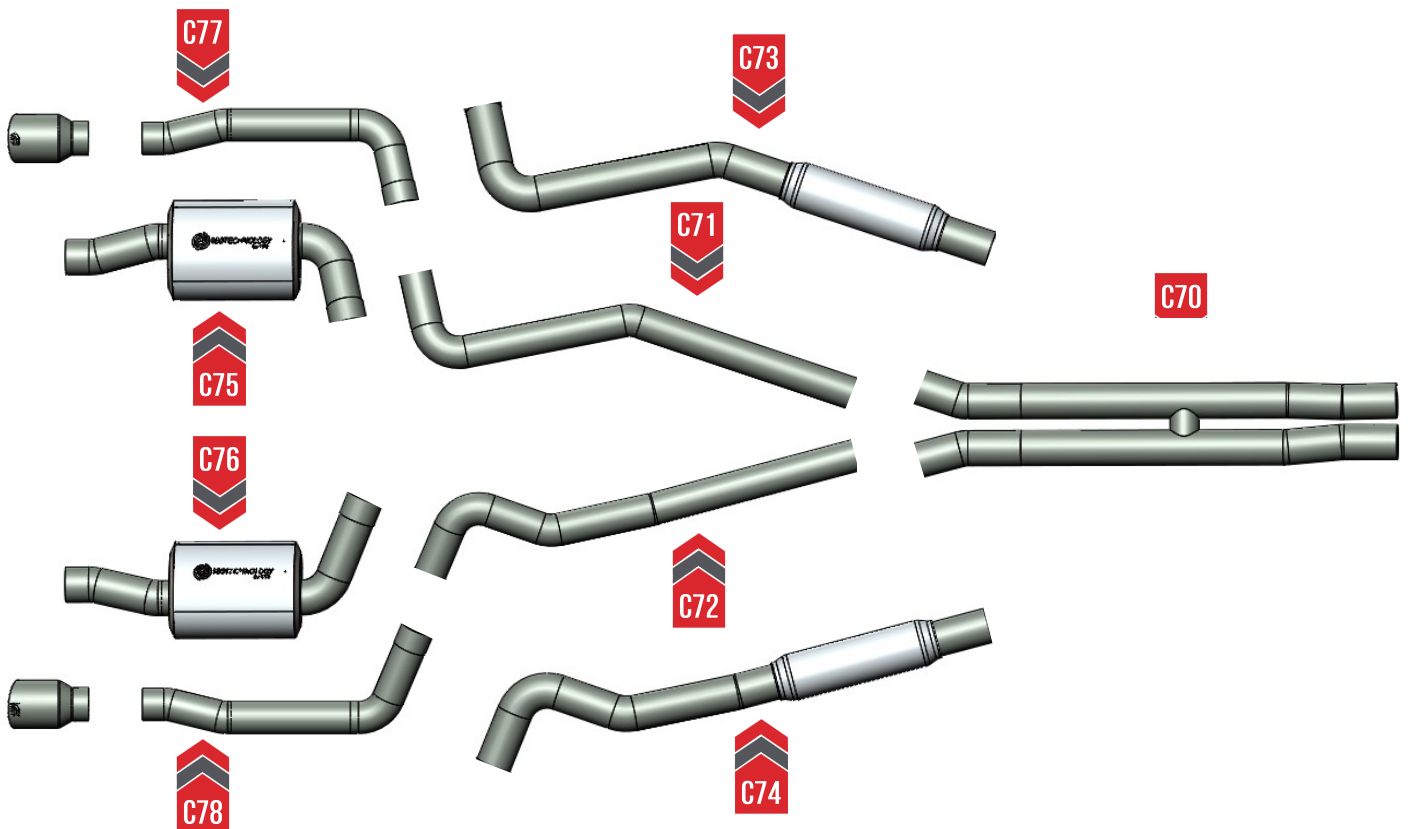
2	2.75in exhaust clamp	180275
4	3.0in exhaust clamp	180300
5	7.5in cable tie	7130K59
4	Round spacer	Z260029-SS
4	Flange head lock nut	94920A500

Tip Parts

2	Tip Hardware	3910-41010
2	4.5in exhaust tip	180014 (chrome) or 180015 (black)

Valve Simulator Parts

2	7/64" diameter steel dowel	98380A457
2	Kuster valve motor simulator	150005
6	Flange head screw 8-32 x 5/8"	92323A593

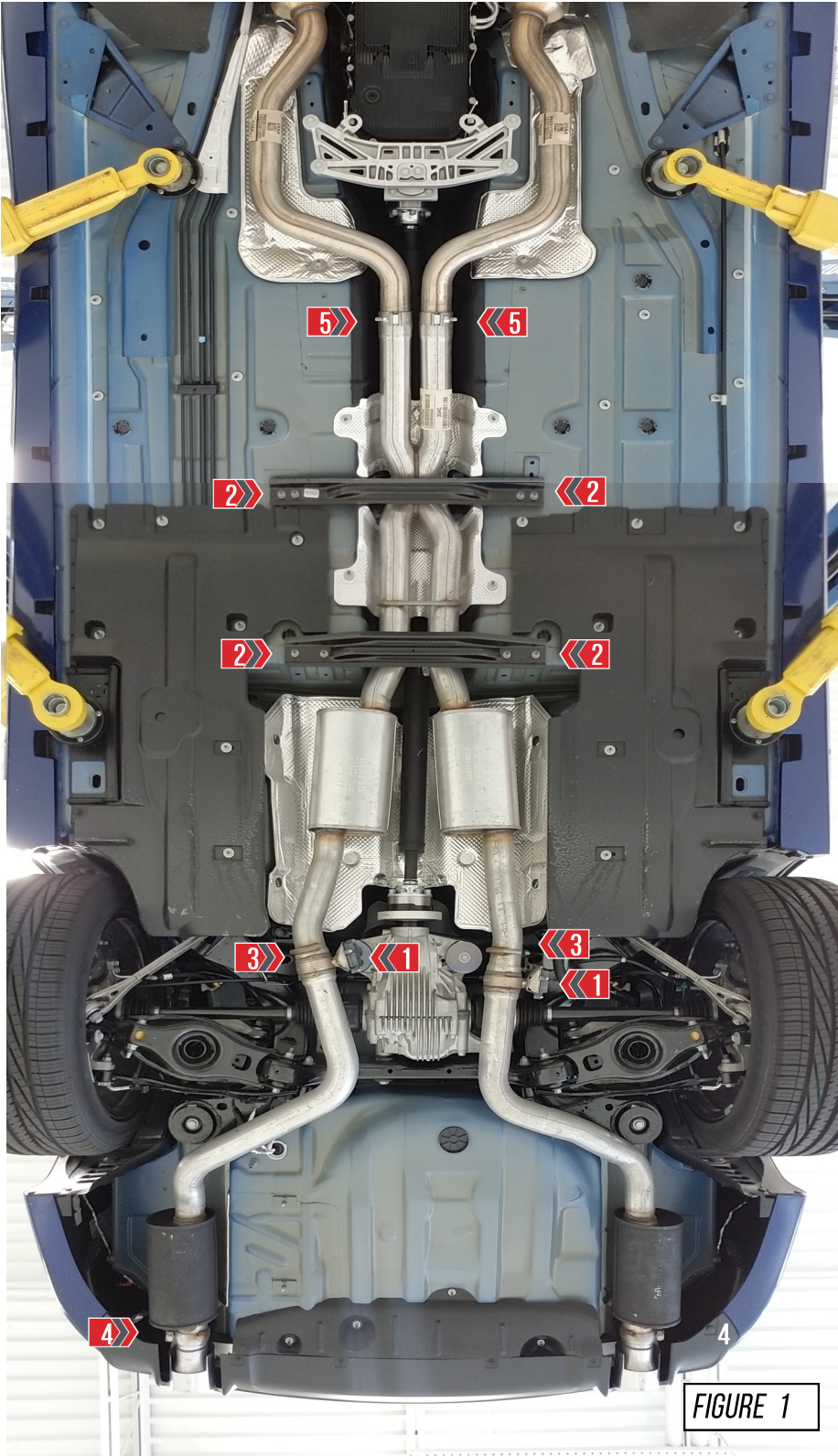


NOTE: Always refer to the manufacturer's service manual for precise torque specifications on all OEM fasteners.



CAUTION: The exhaust may be **VERY HOT** — allow adequate time for the system to cool down before disassembly. Severe burns and injury will occur if skin comes into contact with a hot exhaust system.

STEP 1



Start by removing the OEM Charger exhaust by following these steps, shown in **Figure 1**.

1. Unplug the 2 valve motors from the OEM harness.
2. Remove the 2 OEM chassis braces, set these to the side to be reinstalled with your AWE exhaust.
3. Remove the 1 bolt per side holding the mid hangers in place, these 2 hangers have a hook that will hold the weight of the exhaust for the rest of the removal.
4. Remove the 1 bolt per side holding the 2 rear hangers to the chassis, and the ground strap.
5. Loosen the 2 OEM clamps to allow you to remove the exhaust.

NOTE: The exhaust may take force or rotation to remove it from the OEM down pipes.

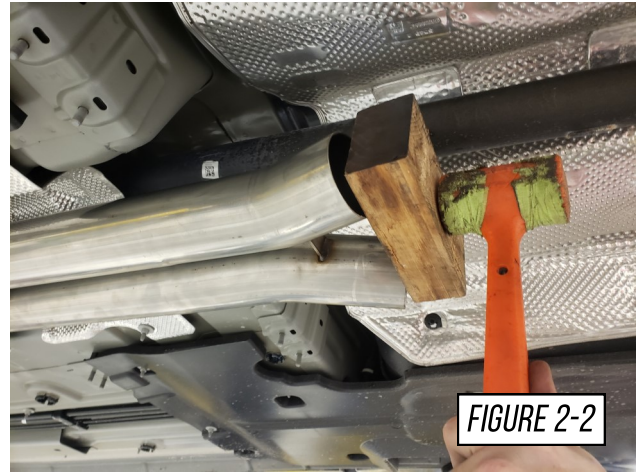
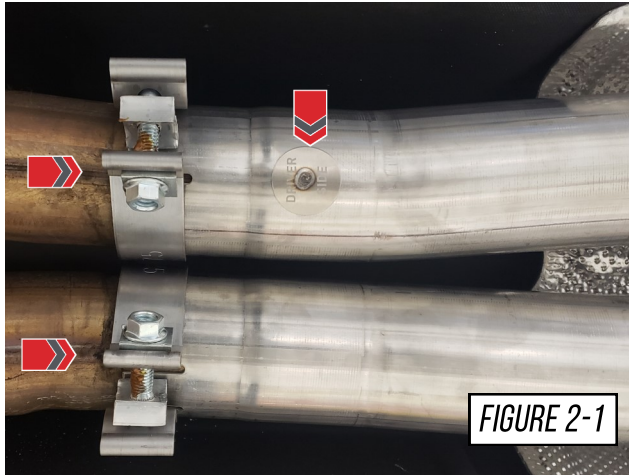
NOTE: Uninstall all 4 OEM exhaust hangers as these will be used while install your AWE exhaust. Do not mix up the original locations the hangers came from.

FIGURE 1

STEP 2

Start installing your AWE exhaust by placing 2 provided exhaust clamps onto the DP side of the H-pipe as shown in **Figure 2-1**. Install the H-pipe onto the OEM down pipes, this may require extra force, an option is to use a block of wood and a hammer to fully seat the exhaust onto the down pipes, as shown in **Figure 2-2**.

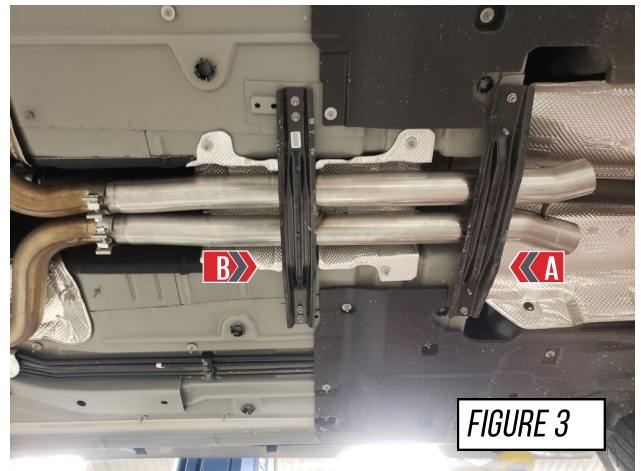
Note: The DS of the H-pipe contains a tag to ensure correct alignment.



STEP 3

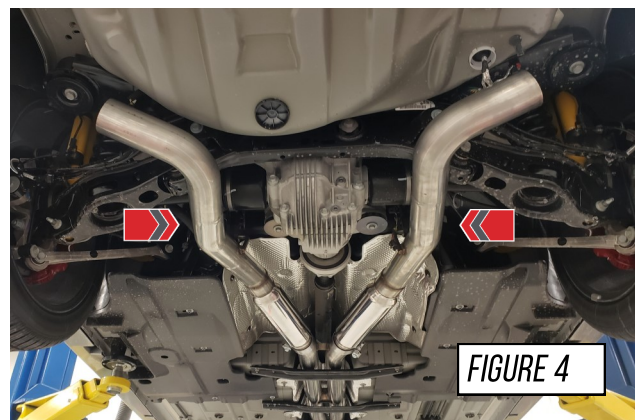
Re-install the 2 OEM chassis braces with the hardware fully tightened on brace **B** and hand tight on brace **A**, as shown in **Figure 3**.

Note: This is to aid in a correct alignment.



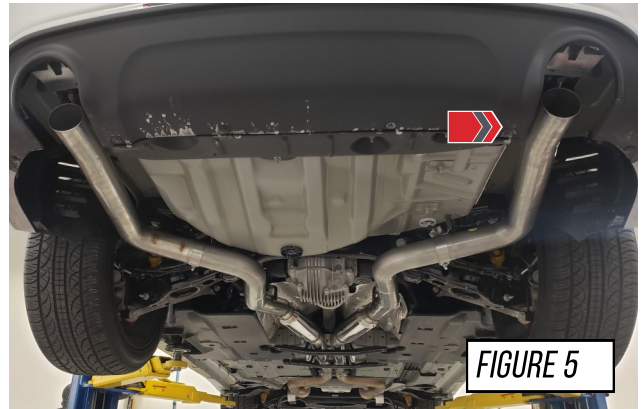
STEP 4

Install the mid sections of your AWE exhaust using 2 of the provided exhaust clamps. Slip the tube onto the H-pipe. With the OEM hangers removed earlier in place, rotate the mount into place and reinstall the OEM bolts, as shown in **Figure 4**.



STEP 5

Install the rear sections of your AWE exhaust using 2 of the supplied exhaust clamp and the OEM hangers reinstated in the OE locations, as shown in **Figure 5**.



STEP 6

It is crucial to install each section and Accu-Seal clamp correctly to prevent loose joints, exhaust leaks between the tubing connections and rattles.

Arrow A in **Figure 6** shows the expanded pipe and the preinstalled Accu-Seal clamp being brought up to the corresponding pipe.

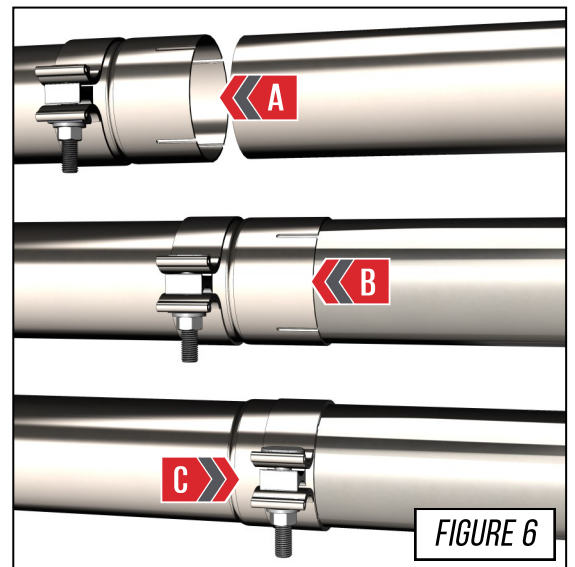
Arrow B in **Figure 6** shows the overlapping pipe installed correctly over the corresponding pipe.

Arrow C in **Figure 6** shows the Accu-Seal clamp being brought to the edge of the expanded pipe.

NOTES:



- **Do not** torque any Accu-Seal clamp until the entire exhaust has been installed and adjusted.
- Torque specification is a **minimum** of 60 ft/lbs



STEP 7

Install the AWE exhaust tips, with the clamps snug, not fully tightened, as shown in **Figure 7**.



Use anti-seize in the threads of the clamps.




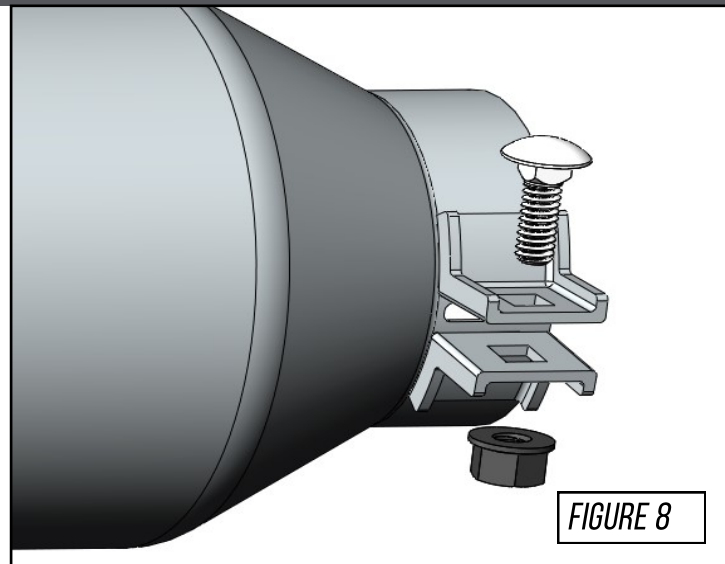
STEP 8

To install the exhaust tips with integrated clamps, first, attach the exhaust tip in the proper orientation onto the exhaust outlet tube.

Insert one of the carriage bolts from the hardware kit (**3910-41010**) through the tab on the exhaust tip and thread on one of the corresponding nuts.


Using anti-seize on the bolt threads will help installation and prevent breakage of hardware.

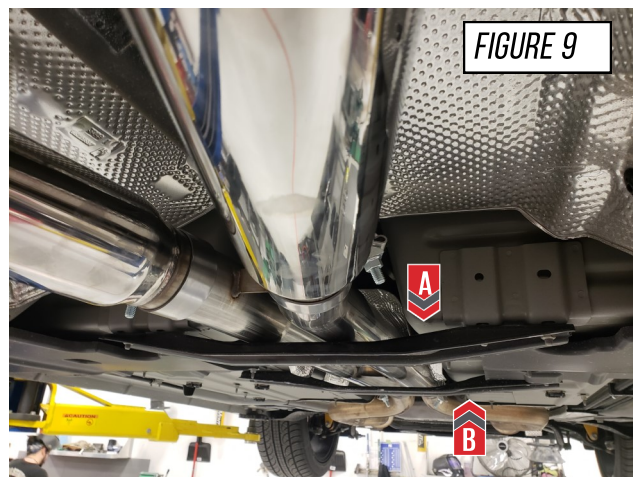
 If exhaust system only has 2 exhaust tips while the integrated clamp kit has enough hardware for our 4 tip exhaust systems. You will have 2 sets of hardware left over that will not be used.



STEP 9

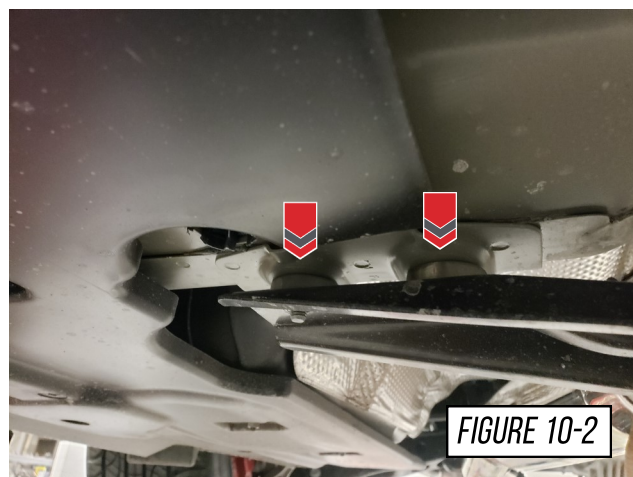
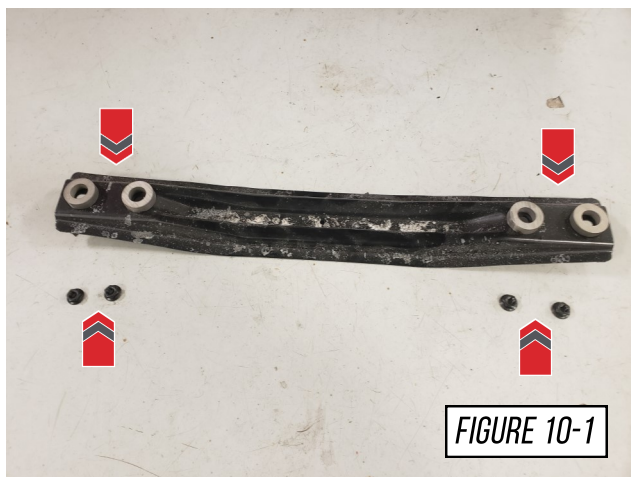
Align the AWE exhaust up in the chassis, working from the front to the back of the car, checking for proper tube clearance to any body part, as you move back tighten the exhaust clamps, to at least 60ft-lbs.

 The exhaust will have good clearness to brace B, but may be touching brace A, as shown in **Figure 9**.



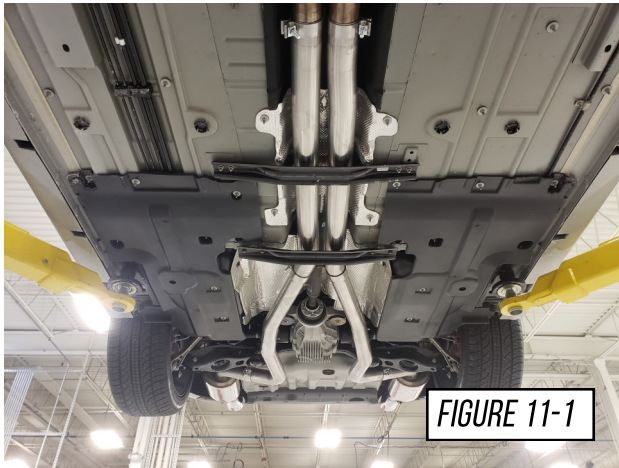
STEP 10

With your AWE exhaust installed correctly, remove the rear brace and gather the supplied hardware and spacers, shown in **Figure 10-1**. Install the rear brace with the spacers in place and tighten, as shown in **Figure 10-2**.



STEP 11

Check over your AWE exhaust for proper clearance from the chassis and correct tip alignment, ensure you torqued all the exhaust clamps to at least 60ft-lbs, and the tips are torqued to at least 18ft-lbs.



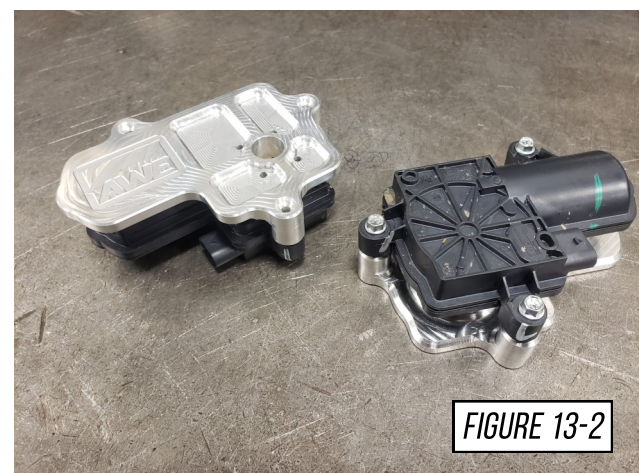
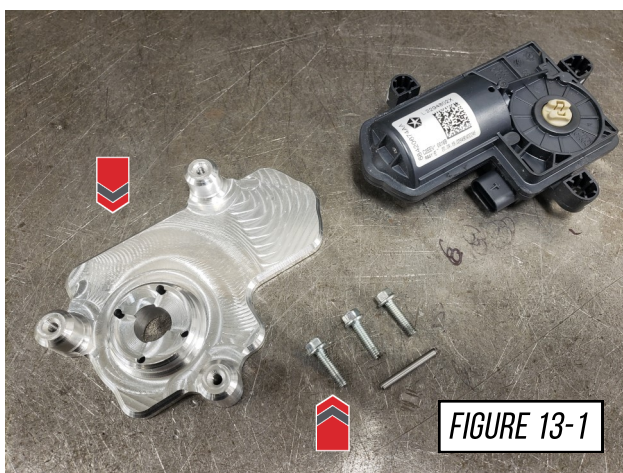
STEP 12

Remove the 2 valve motors from the OEM exhaust, next remove the OEM spring, shown by **Arrow A**, and install the supplied small dowel, shown by **Arrow B**.



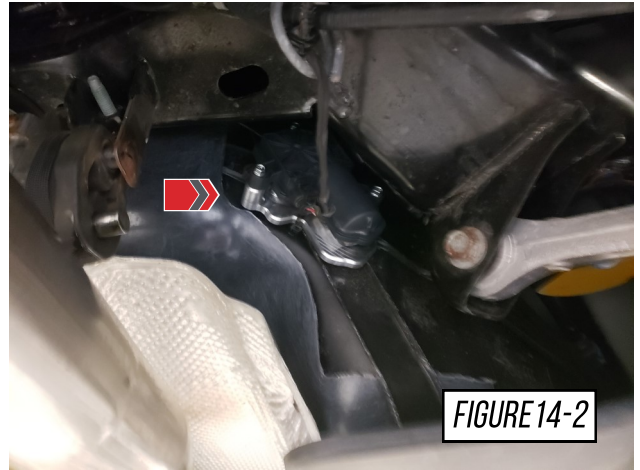
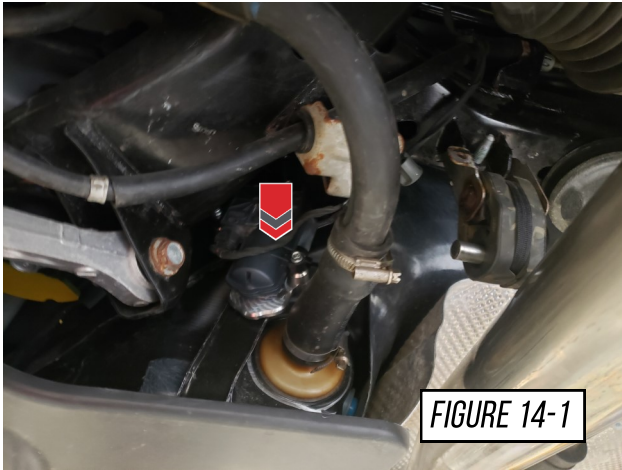
STEP 13

With the dowels attached to the 2 valve motors, gather the supplied brackets and bolts, as shown in **Figure 13-1**. Attach the valve motors to the brackets, as shown in **Figure 13-2**.



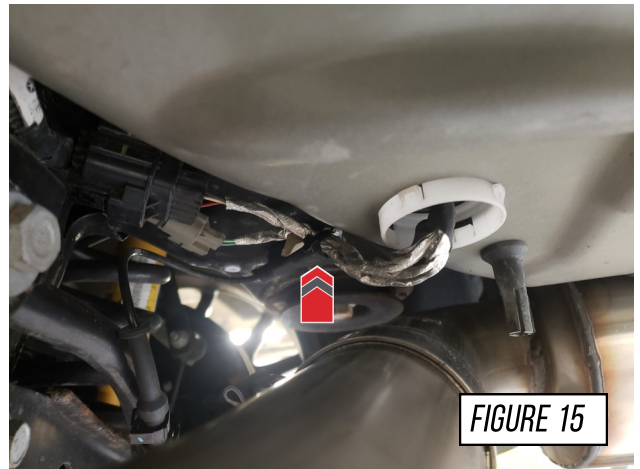
STEP 14

With the valve motor attached to the bracket, plug the motor back into the OEM wiring harness and using 4 of the supplied cable ties, 2 for each, secure the valve motors out of the way of any moving parts, as shown in **Figure 14-1** and **14-2**.

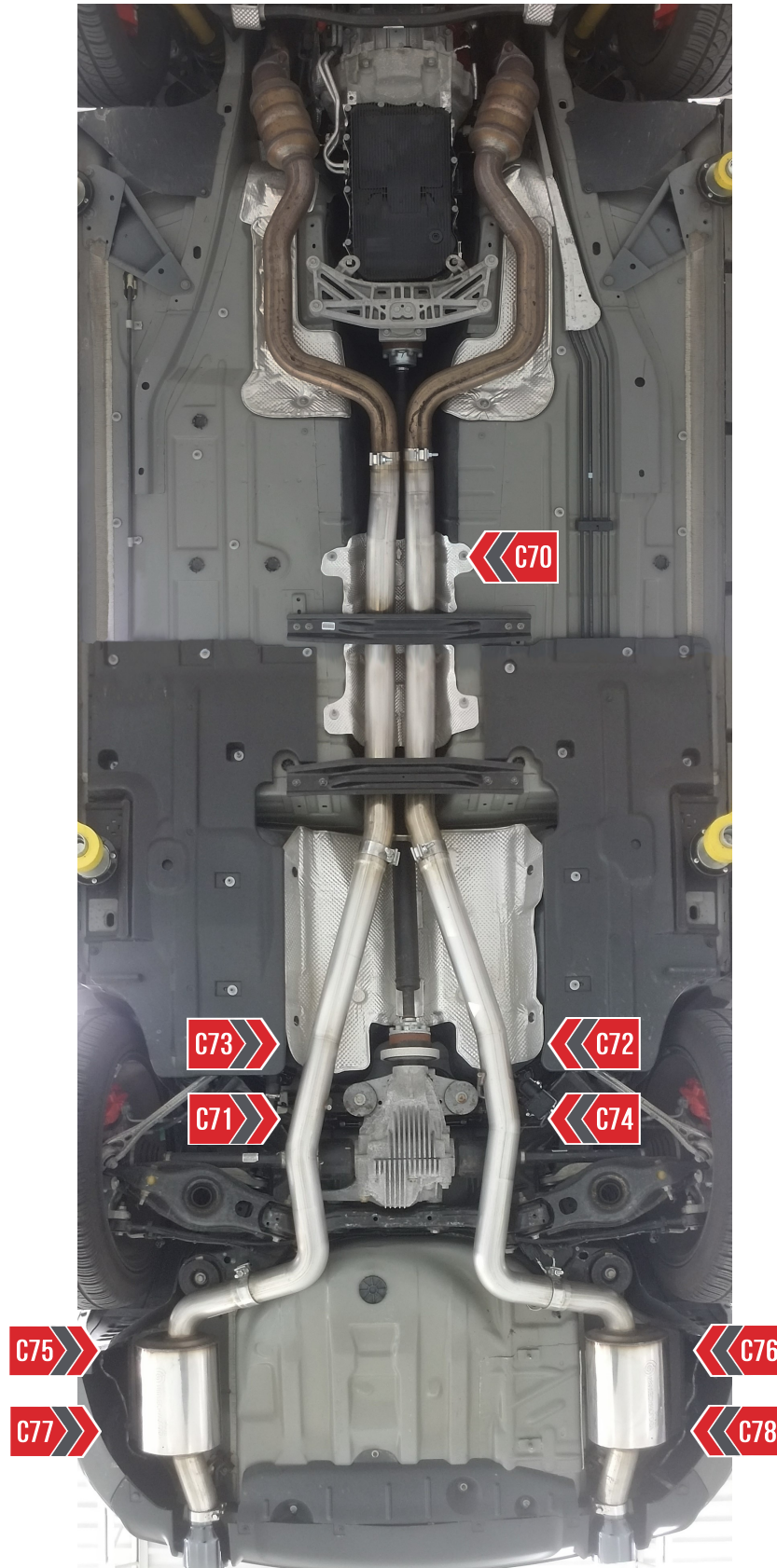


STEP 15

Use a supplied cable tie to secure the wire loom coming out of the passenger side trunk area away from the exhaust as shown in **Figure 15**.



STEP 16



ENJOY!



TROUBLESHOOTING

Issue	Solution
Exhaust is not fitting correctly	Most fitment issues are due to improperly adjusted exhaust. This includes tip fitments and rattling due to chassis contact. Check out our fitment guide for more installation tips.
Wrong or missing parts	Double check the parts list for your system and compare them with what you received. Fill out our contact form, found below and let us know what parts you need.
Clamps wont tighten	Ensure you have the right clamps using the description on the parts page. Using anti-seize on the threads and tighten to at least 60 ft-lbs. If you have a broken or incorrect clamp, please visit clamp.comer .

CARE

Once installed properly, your AWE exhaust will provide years of trouble-free performance.

The exhaust volume and sound will settle with usage; 800-1000 miles is required to break-in new exhaust systems.

Also, please note that the rear **180Technology®** resonator has a small drain hole to allow condensation to escape. Water drops from this area are normal.

Periodic cleaning of exhaust tips is necessary to maintain proper finish, especially in areas prone to road salt and caustic deicing solutions. Use a mild soap and water solution or car wax to clean the finish. Avoid using abrasive polishes, as they can scratch the finish.

Any questions or comments,
please do not hesitate to contact us:

AWE
[CONTACT FORM](#)

WARRANTY

Up-to-date warranty information is found [HERE](#).