

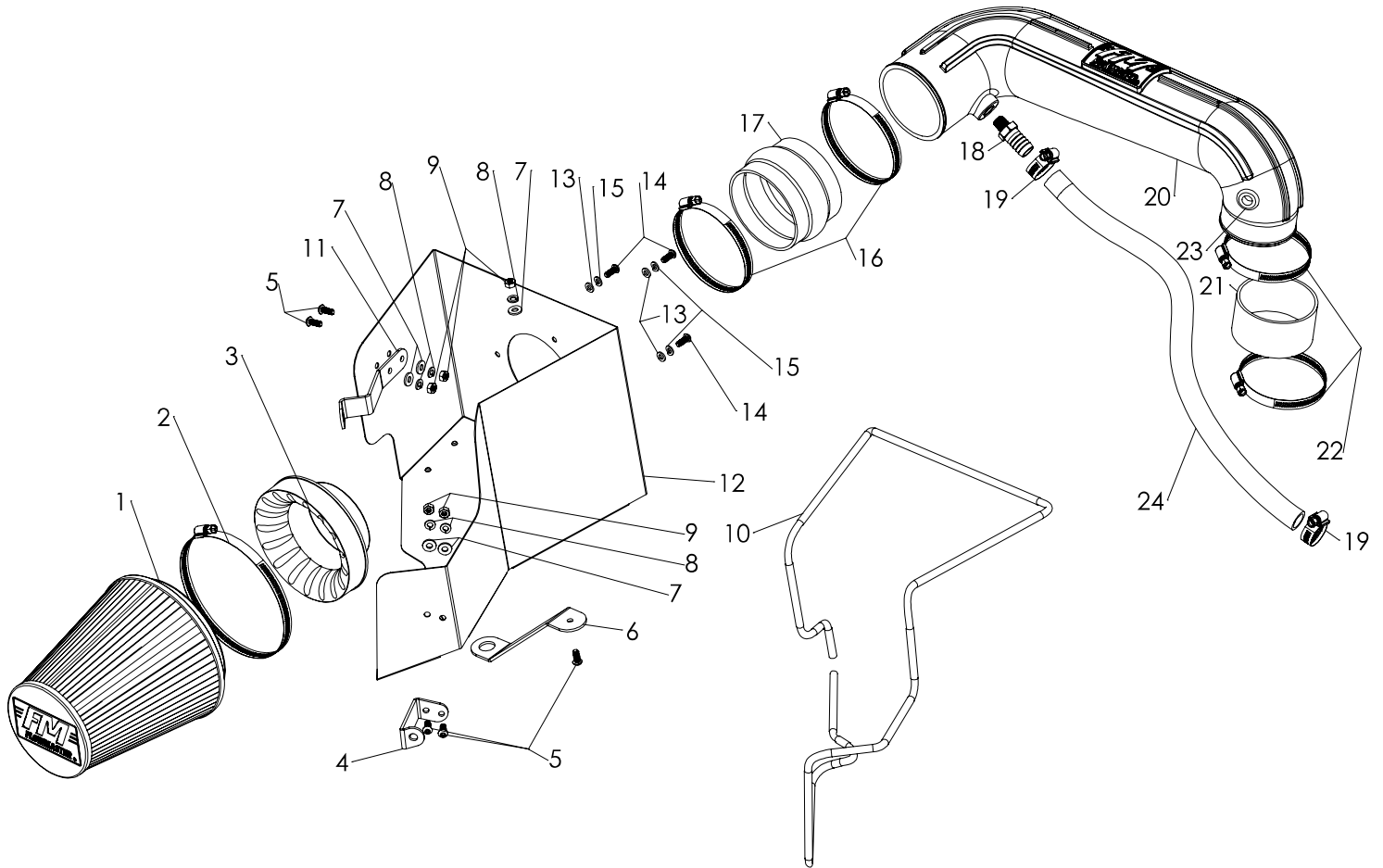


## Installation Instructions

# 615111D

2009-17 RAM 1500,  
2009-18 RAM 2500/3500  
5.7L Hemi Engine

This kit is not engineered to fit vehicles with a body lift.  
NOT LEGAL FOR SALE OR USE ON ANY POLLUTION-CONTROLLED MOTOR VEHICLE IN CALIFORNIA OR IN STATES THAT HAVE ADOPTED CALIFORNIA EMISSION PROCEDURES.



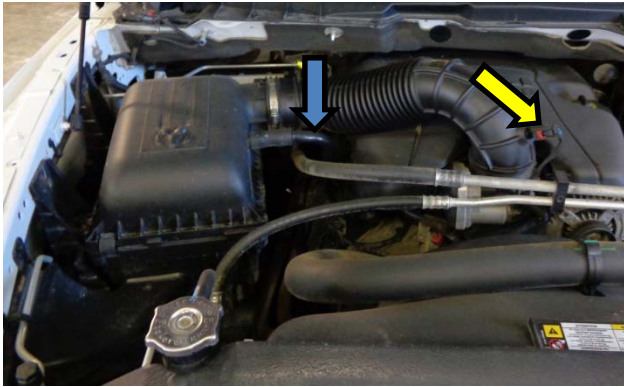
ITEM NO.	PART NUMBER	DESCRIPTION	QTY.
1	AF1005	AIR FILTER, DRY, 8-5/8" x 6" DIA	1
2		SCREW CLAMP, #104 (4-1/8" - 7")	1
3	AF6002	ADAPTER, AIR FILTER 4" x 6"	1
4	AF5004	BRACKET 1, 09-18 RAM, 5.7L	1
5	HW245	SCREW, 1/4"-20 x 5/8"	5
6	AF5006	BRACKET 3, 09-18 RAM, 5.7L	1
7	HW320	FLAT WASHER, 1/4"	5
8	HW322	LOCK WASHER, 1/4"	5
9	HW115	NUT, 1/4"-20	5
10	4900061	GASKET, HEAT SHIELD	1
11	AF5005	BRACKET 2, 09-18 RAM 5.7L	1
12	AF3001	HEAT SHIELD, 09-18 RAM, 5.7L	1
13	HW319	FLAT WASHER, M6	3

ITEM NO.	PART NUMBER	DESCRIPTION	QTY.
14	HW244	SCREW, M6 x 1.0 x 16MM	3
15	HW318	LOCK WASHER, M6	3
16	MC400H	SCREW CLAMP, #64 (3-9/16" - 4-1/2")	2
17	AF4005	COUPLER, FLEX 4" I.D. x 3" L	1
18	AF4013	FITTING, STRAIGHT 3/4" BARB TO 1/4" NPT MALE	1
19	MC125H	SCREW CLAMP, #12 (1/2 - 1-1/4")	2
20	AF2001	INTAKE TUBE, 09-18 RAM, 5.7L	1
21	AF4007	COUPLER, STRAIGHT 3-1/2" I.D. x 2" L	1
22	MC350H	SCREW CLAMP, #56 (3-1/16" - 4")	2
23	AF4008	GROMMET, 1-1/16" OD x 1/2" ID x 7/16" THK	1
24	49000063	HOSE, 3/4" I.D. 30"	1
25	615004P	PREFILTER WRAP (NOT SHOWN)	1

## Removal:

Note: Please refer to vehicle manufacturer's recommendations regarding removal of components.

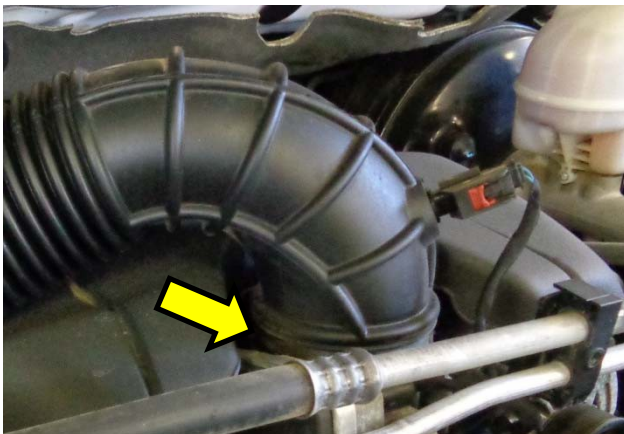
1. Turn off the ignition and disconnect the negative battery cable. NOTE: Disconnecting the negative battery cable erases pre-programmed electronic memories. Write down all memory settings before disconnecting the negative battery cable. Some radios will require an anti-theft code to be entered after the battery is reconnected. The anti-theft code is typically supplied with your owner's manual. In the event your vehicles' anti-theft code cannot be recovered, contact an authorized dealership to obtain your vehicles anti-theft code.



2. Disconnect the air-temperature sensor plug → on the intake tube by depressing the rocking tab and gently pulling away. Next, disconnect the crankcase breather hose → from the stock air- box. NOTE: We highly recommend that customers retain their factory air intake system.



4. With the stock air intake assembly lying on a flat surface, remove the stock air temperature sensor from the intake tube by twisting counter-clockwise and gently pulling outward simultaneously. Next, remove the O-ring from the sensor body and lube the area with a sensor-safe grease. Retain in a safe place.



3. Loosen the hose clamp → retaining the factory intake tube to the throttle body and remove the entire stock air-box/intake tube assembly from the vehicle by lifting straight up and out. Place the assembly on a flat stable surface for further steps.



5. Turn the stock air intake assembly over and remove one of the rubber grommets from the base and retain for use on the FM Cold Air Intake System.





6. Remove the engine cover by grasping the front edge and lifting up and then pulling forward and set aside for reinstallation. It is recommended that you cover the throttle body intake with a clean cloth.



7. Remove the crankcase vent tube → from the engine. Replace the stock tube with the included hose/clamps. Route in the same path, trimming off any excess length after install of the FM system.

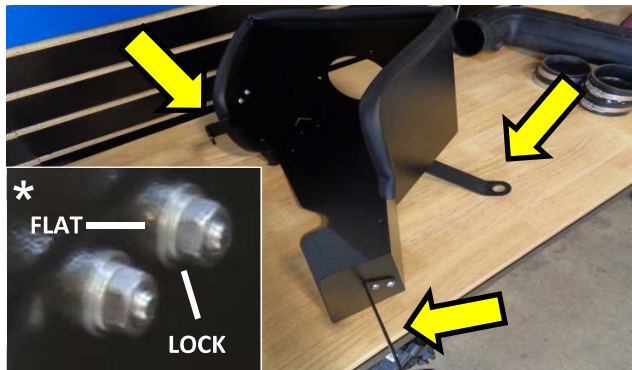


8. Remove the front retaining bolt → from the stock air-box frame on the fender and retain. Next, remove the bolt on the front cross-frame behind the headlight assembly as shown → and retain.

**Assembly:** Assemble the FM Cold Air Intake using the illustration on the front page for reference.



9. Begin assembly of the FM Cold Air Intake System by removing the components and hardware from the packaging and organizing the contents (including the fasteners) by thread and type to avoid confusion.



10. First, attach the 3 metal brackets → to the FM heat-shield using the supplied ¼" bolts/nuts and corresponding flat/lock washers installed under the nut-side as shown\*. Tighten all fasteners securely.



11. Next, insert the rubber grommet that was previously retained from the stock air-box into the large hole on the single-bolt bracket on the base of the heat shield so that the beveled hole faces down.