



Installation Instructions

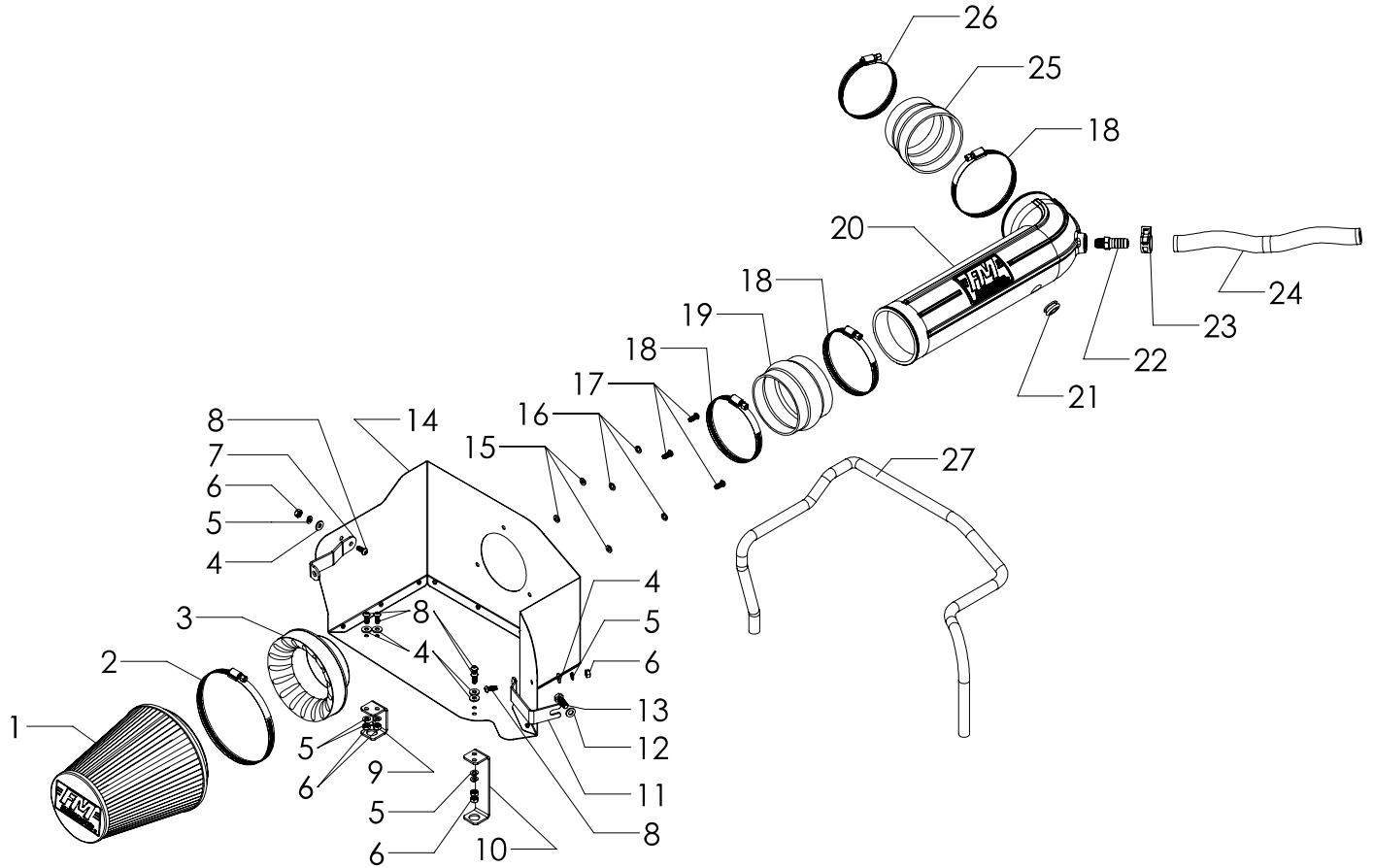
615110

2003-08 DODGE RAM 1500, 2500 & 3500 TRUCKS

5.7L Engine

This kit is not engineered to fit vehicles with a body lift.

NOT LEGAL FOR SALE OR USE ON ANY POLLUTION-CONTROLLED MOTOR VEHICLE IN CALIFORNIA OR IN STATES THAT HAVE ADOPTED CALIFORNIA EMISSION PROCEDURES.



ITEM NO.	PART NUMBER	DESCRIPTION	QTY.
1	AF1001	AIR FILTER, 8-5/8" x 6" DIA	1
2		SCREW CLAMP, #104 (4-1/8" - 7")	1
3	AF6002	ADAPTER, AIR FILTER 4" x 6"	1
4	HW320	FLAT WASHER, 1/4"	6
5	HW322	LOCK WASHER, 1/4"	6
6	HW115	NUT, 1/4"-20	6
7	AF5074	BRACKET 3, 03-08, DODGE TRUCKS, 5.7L	1
8	HW245	SCREW, 1/4"-20 x 5/8"	6
9	AF5072	BRACKET 1, 03-08, DODGE TRUCKS, 5.7L	1
10	AF5073	BRACKET 2, 03-08, DODGE TRUCKS, 5.7L	1
11	AF5075	BRACKET 4, 03-08, DODGE TRUCKS, 5.7L	1
12	HW324	FLAT WASHER, M8	1
13	HW264	SCREW, M8 x 1.25 x 25MM	1
14	AF3057	HEAT SHIELD, 03-08, DODGE RAM 1500, 2500 & 3500, 5.7L	1

ITEM NO.	PART NUMBER	DESCRIPTION	QTY.
15	HW319	FLAT WASHER, M6	3
16	HW318	LOCK WASHER, M6	3
17	HW244	SCREW, M6 x 1.0 x 16MM	3
18	MC400H	SCREW CLAMP, #64 (3-9/16" - 4-1/2")	3
19	AF4005	COUPLER, FLEX 4" I.D. x 3" L	1
20	AF2057	INTAKE TUBE, 03-08, DODGE RAM 1500, 2500 & 3500, 5.7L	1
21	AF4008	GROMMET, 1-1/16" OD x 1/2" ID x 3/16" THK	1
22	AF4032	FITTING, STRAIGHT 5/8" BARB TO 1/4" NPT MALE	1
23	MC005P	PINCH CLAMP, 3/4" HOSE	1
24	49000068	HOSE, 5/8" I.D.	18"
25	AF4062	COUPLER, REDUCING 4" - 3-1/2" I.D. x 3" L	1
26	MC350H	SCREW CLAMP, #56 (3-1/16" - 4")	1
27	49000061	GASKET, HEAT SHIELD	54"