

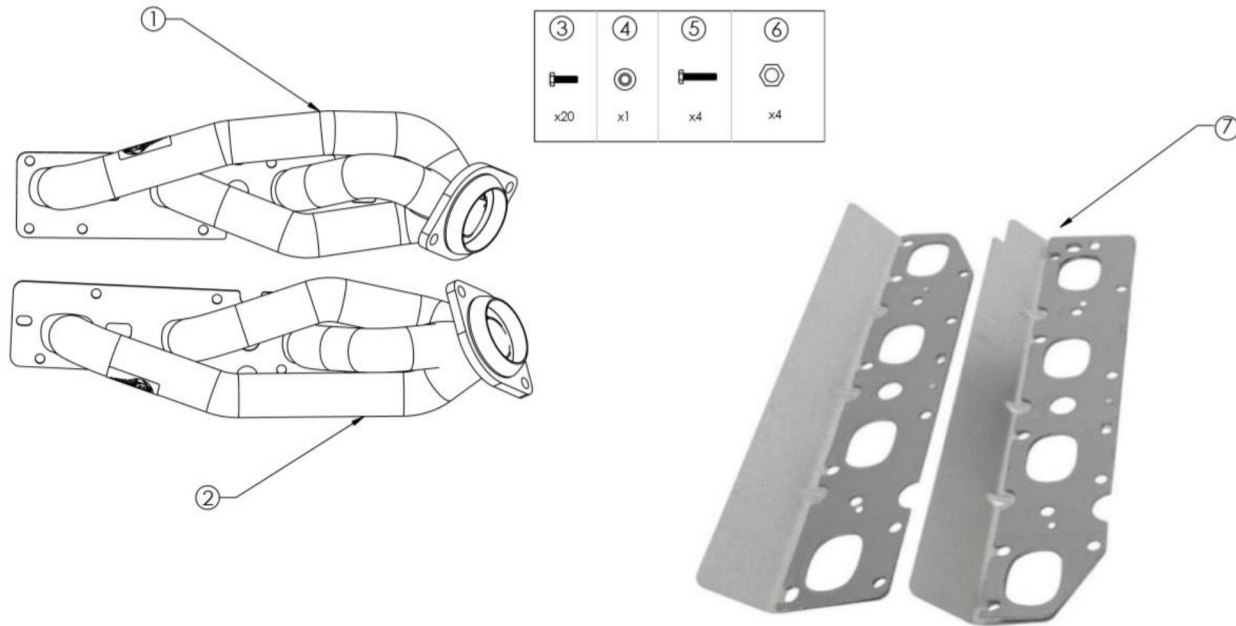


INSTALLATION INSTRUCTIONS

Twisted Steel Headers

MAKE: Jeep
MODEL: Grand Cherokee
YEAR: 2011-2021
ENGINE: V8-5.7L

48-38029
 48-38029-T



Item	Description	Part Number	Quantity
1	Right Header	05-245193	1
1	Titanium Cerakote Right Header	05-245193T	1
2	Left Header	05-245194	1
2	Titanium Cerakote Left Header	05-245194T	1
3	Bolt: M8 x 1.25 x 25mm	03-50421	20
4	Spacer, 3/4"OD x 5/16"ID x 7/8"L	03-50759	1
5	Bolt: 3/8-16 x 2-1/4"L	03-50420	4
6	Nut, 3/8"-16, Gr 2 Zinc Plated	03-50568	4
7	Header Gasket Set	05-46093	1

aFe POWER recommends professional installation on this product. Thoroughly inspect the aFe POWER exhaust system to make sure there is no damage from shipping (if damage is noted, immediately contact aFe POWER customer service). Allow time for your vehicle to cool down prior to installation. When working on your vehicle proceed with caution. Wear protective safety equipment; eye goggles and gloves to ensure a safe installation.

Install band clamps to proper torque specifications of 40-45 ft-lb.



INSTALLATION INSTRUCTIONS

Twisted Steel Headers

MAKE: Jeep
MODEL: Grand Cherokee
YEAR: 2011-2021
ENGINE: V8-5.7L

48-38029

48-38029-T

1. **(Read instructions prior to installation.)** It is recommended to not fully tighten the exhaust until it has been fully installed. Leave loose for adjustability.
2. Secure vehicle on jack stands (refer to your manual for specified jack stand positions).
3. Disconnect negative battery terminal.
4. Remove the OE exhaust system.
5. Unplug the O2 sensors.
6. Unbolt the right and left Catalytic converter pipes from the exhaust manifolds and remove.
7. Remove the engine cover.
8. Remove the air inlet tube and the airbox.
9. Unplug the wire harness connection on the ECU.
10. Unbolt the ECU and mounting bracket and remove.
11. Remove the (4) nuts on the right side exhaust manifold heat shield and remove the heat shield.
12. Remove the (9) bolts on the right side exhaust manifold and remove the exhaust manifold and gasket. (the OE exhaust manifold bolt holding the dip stick tube will be reused take note where the bolt is installed on the exhaust manifold)
13. Install the right side aFe POWER header onto the cylinder head using the supplied gasket, M8 bolts, and (1) OE manifold bolt and spacer provided for the dip stick. Tighten the bolts to the manufacture's specifications, starting from the center and working to the outside bolts.
14. Remove the (4) nuts on the left side exhaust manifold heat shield and remove the heat shield.
15. Remove the (10) bolts on the left side exhaust manifold and remove the exhaust manifold and gasket.
16. Install the left side aFe POWER header onto the cylinder head using the supplied gasket, M8 bolts. Tighten the bolts to the manufacture's specifications, starting from the center and working to the outside bolts.
17. Reinstall the ECU and mounting bracket. Plug in ECU wire harness connection.
18. Reinstall the intake tube and airbox.
19. Reinstall the engine cover.
20. Reinstall the right and left catalytic pipes using the (4) supplied 3/8"-16 bolts and nuts, make finger tight only at this time.
21. Reinstall the exhaust system. Tighten the (4) 3/8"-16 bolts and nuts on the catalytic converter pipes. Plug in O2 sensors.
22. Connect the battery.
23. Ensure that all the components of the aFe POWER exhaust system are aligned and are at a safe clearance from all wires, hoses, brake lines, body parts, and tires.
24. Start the vehicle and check for any leaks. If any leaks are found, determine cause and repair as necessary.
25. Remove vehicle from jacks stands.
26. It is recommended to re-tighten all clamps and hardware after 50-100 miles.