



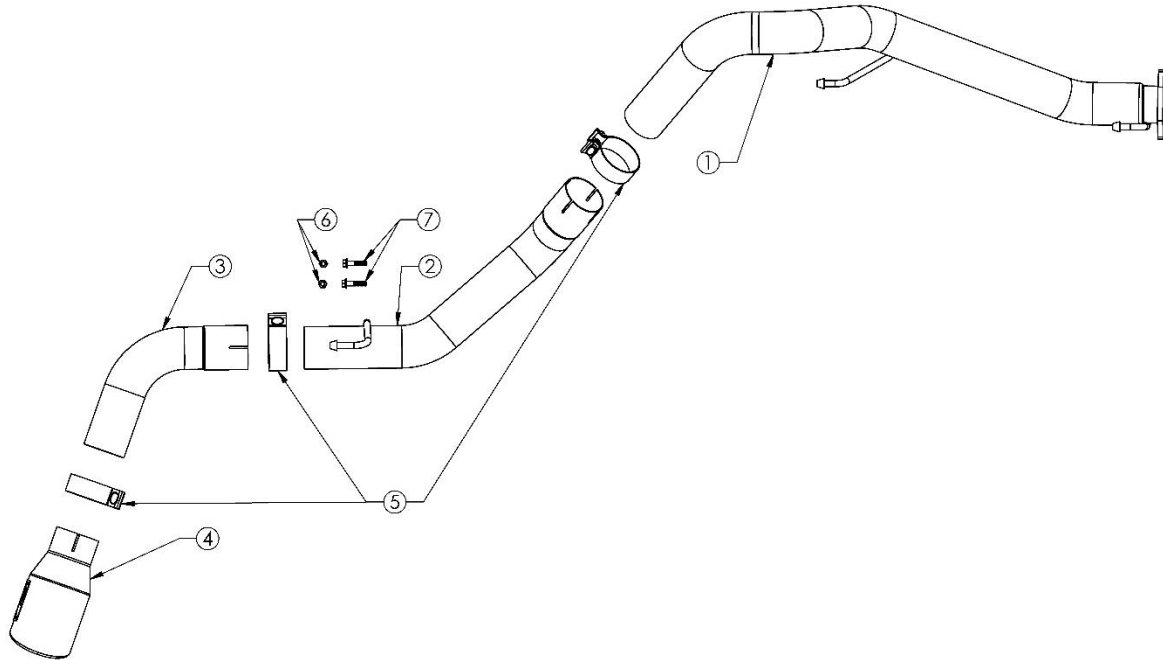
# INSTALLATION INSTRUCTIONS

3" Side Exit DPF-Back

MAKE: Jeep  
 MODEL: Gladiator EcoDiesel  
 YEAR: 2021-2022  
 ENGINE: V6-3.0L (td)

49-38093-P  
 49-38093-B

**NOTE: Only fits EcoDiesel Model**



Item	Description	Part Number	Quantity
1	Over Axle Assembly	05-145695	1
2	Tail Pipe Assembly	05-245109	1
3	Tail Pipe Turn Out	05-245110	1
4	EXH Tip 3 In x 4-1/2 Out Bolt-On Pol	49T30451-P09	1
4	EXH Tip 3 In x 4-1/2 Out Bolt-On Blk	49T30451-B09	1
5	Clamp, Band: 3"	05-41055	3
6	Nut, M8 x 1.25	03-50404	2
7	Bolt, Hex: M8 x 1.25 x 35	03-50403	2

aFe POWER recommends professional installation on this product. Thoroughly inspect the aFe POWER exhaust system to make sure there is no damage from shipping (if damage is noted, immediately contact aFe POWER customer service). Allow time for your vehicle to cool down prior to installation. When working on your vehicle proceed with caution. Wear protective safety equipment; eye goggles and gloves to ensure a safe installation.

Install band clamps to proper torque specifications of 40-45 ft-lb.





## INSTALLATION INSTRUCTIONS

3" Side Exit DPF-Back

**MAKE:** Jeep  
**MODEL:** Gladiator EcoDiesel  
**YEAR:** 2021-2022  
**ENGINE:** V6-3.0L (td)

49-38093-P  
49-38093-B

**NOTE: Only fits EcoDiesel Model**

1. **(Read instructions prior to installation.)** It is recommended to not fully tighten the exhaust until it has been fully installed. Leave loose for adjustability.
2. Secure vehicle on jack stands (refer to your manual for specified jack stand positions).
3. For faster installation, spread out the parts of the exhaust alongside your vehicle as shown in the diagram above.
4. Secure the stock exhaust with jack/stands.
5. Remove the spare tire and tire guard. This will allow more clearance for the installation.
6. Undo the (x2) nuts on the flange, (x2) bolts for the hanger mount over the axle and (x2) bolts for the rear hanger mount. Remove the O.E. flange gasket (Lift the back of the vehicle to remove the O.E. exhaust in one piece, slide towards the front of vehicle).
7. Install the over the axle assembly using the provided hardware and O.E. Gasket for the flange. Then, slide the O.E. hanger mount over the hanger and secure it with the O.E. (x2) bolts.
8. Install the tail pipe assembly using the provided 3" band clamp. Then, slide the O.E. rear hanger mount over the hanger and secure it with the O.E. (x2) bolts.
9. Install the tail pipe turn out using the provided 3".
10. Install the exhaust tip using the provided 3" band clamp.
11. Ensure that all the components of the aFe POWER exhaust system are aligned and are at a safe clearance from all wires, hoses, brake lines, body parts, and tires.
12. Start from the front of the aFe exhaust system and evenly tighten all clamps and fasteners.
13. Install the spare tire and tire guard back on vehicle.
14. Start the vehicle and check for any leaks. If any leaks are found, determine cause and repair as necessary.
15. Remove vehicle from jacks stands.
16. It is recommended to re-tighten all clamps and hardware after 50-100 miles.